

Job Name/Location:

Tag No.:

Date:

|      |          |            |
|------|----------|------------|
| For: | File     | Resubmit   |
|      | Approval | Other_____ |

PO No.:

Architect: \_\_\_\_\_ GC: \_\_\_\_\_

Engr: \_\_\_\_\_ Mech: \_\_\_\_\_

Rep: \_\_\_\_\_  
(Company) (Project Manager)



## LA240HYV3

### DUALCOOL™ PRESTIGE Single Zone Inverter

Outdoor Unit (ODU) - LAU240HYV3 Indoor Unit (IDU) - LAN240HYV3

#### Performance:

##### Cooling:

|   |                         |
|---|-------------------------|
| Cooling Capacity<br>(Min~Rated~Max) (Btu/h) | 3,070 ~ 22,000 ~ 30,000 |
| SEER2                                       | 23.0                    |
| EER2  | 13.00                   |

SEER - Seasonal Energy Efficiency Ratio EER - Energy Efficiency Ratio

##### Heating:

|   |                         |
|---|-------------------------|
| Heating Capacity<br>(Min~Rated~Max) (Btu/h) | 3,070 ~ 26,000 ~ 36,200 |
| HSPF2                                       | 10                      |
| Max. Heating @ Indoor 70°F DB               |                         |
| Outdoor 17°F WB                             | 27,360                  |
| Outdoor 5°F WB*                             | 23,700                  |
| Outdoor -13°F WB                            | 17,740                  |

HSPF - Heating Seasonal Performance Factor  
\*The Capacities at 5°F does not refer to H42 testing conditions.

Cooling Nominal Test Conditions: Indoor: 80°F DB / 67°F WB Outdoor: 95°F DB / 75°F WB  
Heating Nominal Test Conditions: Indoor: 70°F DB / 60°F WB Outdoor: 47°F DB / 43°F WB

##### Outdoor Unit:

|                                  |             |
|----------------------------------|-------------|
| MOP (A)                          | 30          |
| MCA (A)                          | 19          |
| Cooling / Heating Rated Amps (A) | 14.81/14.81 |
| Compressor (A)                   | 14.41       |
| Fan Motor (A)                    | 0.4         |

MOP - Maximum Overcurrent Protection MCA - Minimum Circuit Ampacity

##### Total Power Input:

|                          |      |
|--------------------------|------|
| Cooling Power Input (kW) | 1.69 |
| Heating Power Input (kW) | 2.08 |

##### Piping:

|  |           |
|--|-----------|
| Liquid Line (in., O.D.)                    | 3/8       |
| Vapor Line (in., O.D.)                     | 5/8       |
| Additional Refrigerant (oz./ft.)           | 0.38      |
| Min. / Max. Pipe Length (ft.) <sup>2</sup> | 9.8 / 164 |
| Piping Length (no add'l refriger., ft.)    | 24.6      |
| Max. Elevation (ft.)                       | 98.4      |

##### Features:

- 24-Hour on/off timer
- 4-Way auto swing
- Auto changeover
- Auto restart
- Jet cool/Jet heat
- Built-in low ambient standard, down to 14°F (cooling mode)
- Chaos Wind
- Condensate Sensor Connection
- Defrost Control
- Dehumidifying Mode
- Hot Start
- Inverter (variable speed compressor)
- Smart Diagnosis
- Washable Filter
- Soft Dry Operation
- Self-cleaning indoor coil
- Built-in base pan heater
- Cooling only/heating only function
- Built-in Wi-Fi via Smart ThinQ app

##### Optional Accessories:

- Delux Remote Controller - PREMTA200
- Premium Remote Controller - PREMTA000
- Progm Remote Controller - PREMTB100
- MultiSITE™ CRC2 - PREMTBVC2
- Dry Contact 3rd Party Thermostat - PDRYCB320
- AC Smart 5 - PAC5SA000
- ACP 5 - PACP5A000
- Low Ambient Wind Baffle (Cooling operation to 0°F) - PAG-HS6/PAG-HS7

#### Operating Range:

##### Outdoor Unit:

|                 |           |
|-----------------|-----------|
| Cooling (°F DB) | 14 ~ 118  |
| Heating (°F WB) | -13 ~ +65 |

##### Indoor Unit:

|                 |         |
|-----------------|---------|
| Cooling (°F WB) | 53 ~ 75 |
| Heating (°F DB) | 60 ~ 86 |

#### Electrical:

|                       |              |
|-----------------------|--------------|
| Power Supply (V/Hz/Ø) | 208-230/60/1 |
|-----------------------|--------------|

#### System Data:

|   |             |
|---|-------------|
| Refrigerant Type  | R410A       |
| Refrigerant Control   | EEV         |
| Refrigerant Charge (lbs.)   | 4.85        |
| ODU Sound Pressure<br>(Max., Cool / Heat) (±1 dB[A]) <sup>3</sup>   | 55/56       |
| IDU Sound Pressure<br>Cooling (H/M/L/Sleep) (±1 dB[A]) <sup>3</sup> | 49/44/40/30 |
| Heating (H/M/L) (±1 dB[A]) <sup>3</sup>                             | 49/44/40    |
| ODU Net / Shipping Weight (lbs.)                                    | 135.4/147.7 |
| IDU Net / Shipping Weight (lbs.)                                    | 37.7/45.6   |
| Heat Exchanger Coating  | GoldFin™    |

#### Fan:

|  |                                       |
|--|---------------------------------------|
| ODU Type                                 | Propeller                             |
| IDU Type                                 | Cross Flow                            |
| Fan Speeds (Fan/Cool/Heat)               | 6 / 6 / 6                             |
| Quantity (ODU + IDU)                     | 1 + 1                                 |
| Motor/Drive                              | Brushless Digitally Controlled/Direct |
| ODU Max. Air Flow Rate (CFM)             | 2119                                  |
| IDU Air Flow<br>Cooling, Max/H/M/L (CFM) | 813 / 601 / 495 / 389                 |
| Heating, Max/H/M/L (CFM)                 | 919 / 707 / 601 / 495                 |
| Dehumidification (pts./hr.)              | 4.65                                  |

#### Notes:

1. Acceptable operating voltage: 187V-253V.
2. Piping lengths are equivalent.
3. Sound Pressure levels are tested in an anechoic chamber under ISO Standard 3745.
4. All communication / connection (power) cable from the outdoor unit to the indoor unit is field supplied and must be a minimum of four-conductor, 14 AWG, stranded, shielded or unshielded (if shielded, it must be grounded to the chassis of the outdoor unit only), and must comply with applicable local and national codes.
5. See Engineering Manual for sensible and latent capacities.
6. Power wiring cable size must comply with the applicable local and national code.
7. The indoor unit comes with a dry helium charge.
8. This data is rated 0 ft. above sea level, with 24.6 ft. of refrigerant line and a 0 ft. level difference between outdoor and indoor units.
9. PQCA0 low ambient Cooling kit is not compatible with Prestige line up
10. Continuous operation down to -22°F.
11. Must follow installation instructions in the applicable LG installation manual.



For a complete list of available accessories, contact your LG representative.

For continual product development, LG reserves the right to change specifications without notice.

© LG Electronics Canada, Inc., North York, ON. All rights reserved. "LG Life's Good" is a registered trademark of LG Corp. /www.lgdfs.ca

SB\_SZ\_DUALCOOL™ Prestige\_LA240HYV3\_2023\_01

Job Name/Location: \_\_\_\_\_

# LA240HYV3

## DUALCOOL™ PRESTIGE Single Zone Inverter

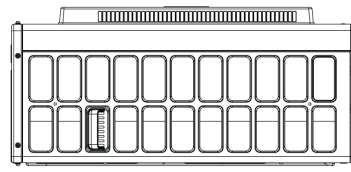
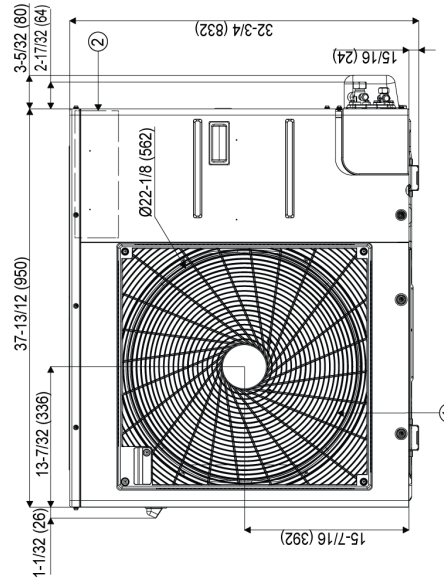
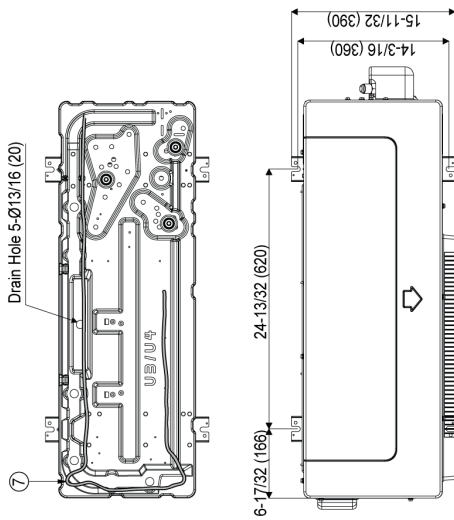
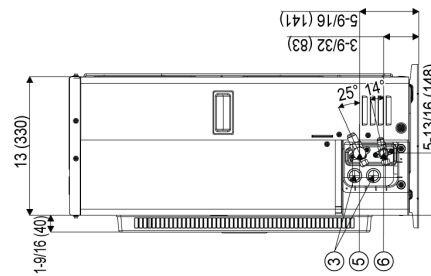
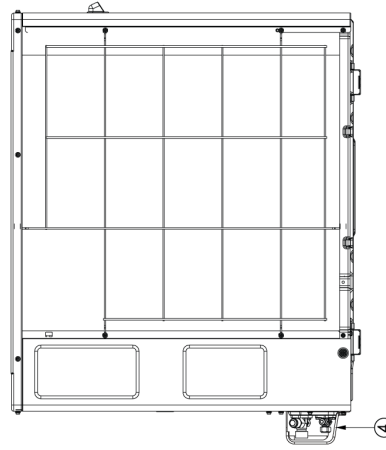
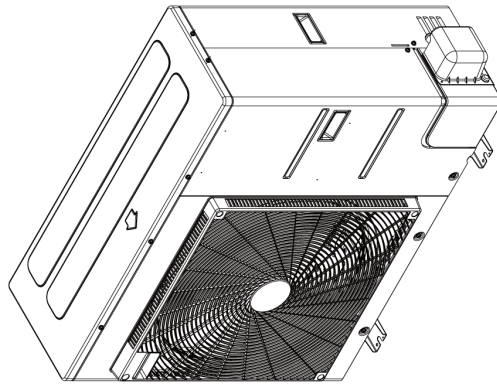
Outdoor Unit (ODU) - LAU240HYV3 Indoor Unit (IDU) - LAN240HYV3



Tag No.: \_\_\_\_\_

Date: \_\_\_\_\_

PO No.: \_\_\_\_\_



| No | Name                               | Description |
|----|------------------------------------|-------------|
| 7  | Sump Heater                        |             |
| 6  | Liquid Pipe Connection             | Flare Joint |
| 5  | Gas Pipe Connection                | Flare Joint |
| 4  | Service Valve Cover                |             |
| 3  | Power and Communication Cable Hole |             |
| 2  | Control Box                        |             |
| 1  | Air Outlet                         |             |

Unit : inch (mm)

# LA240HYV3

## DUALCOOL™ PRESTIGE Single Zone Inverter

Outdoor Unit (ODU) - LAU240HYV3 Indoor Unit (IDU) - LAN240HYV3



Tag No.: \_\_\_\_\_

Date: \_\_\_\_\_

PO No.: \_\_\_\_\_

